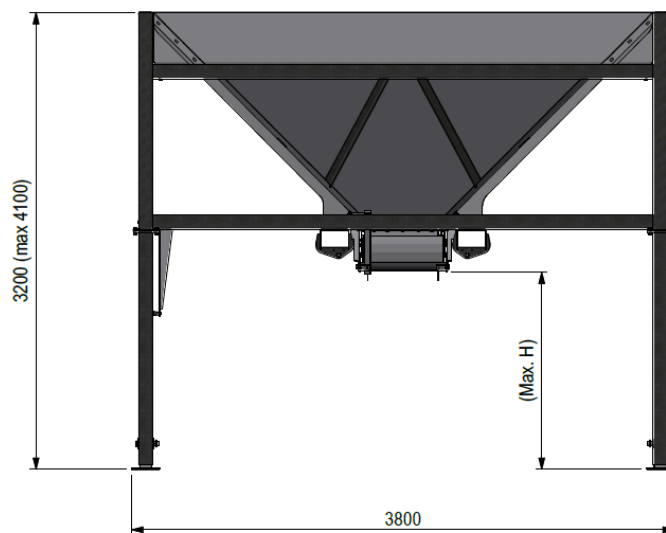
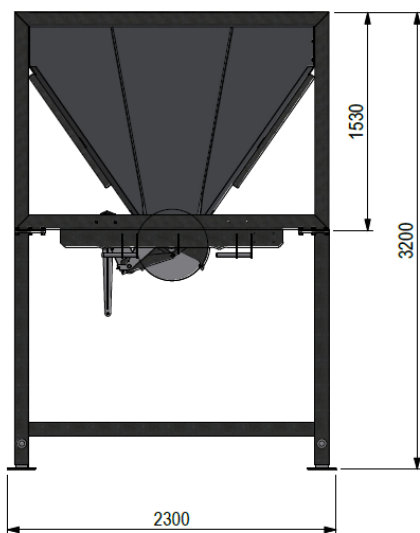
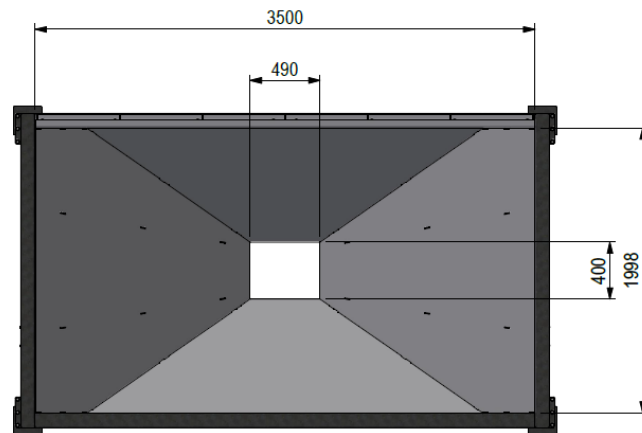


TYPE	VT-XL
Funnel size	2,6 - 4,9 m ³
Height (max.)	3,2 m + 0,9m (6 x 0,15m)
Funnel opening (top)	3,50m x 2,00m
Funnel opening (bottom)	0,50m x 0,40m
Max. H	1,35m–2,25 m (6 x 0,15m)
Type of opening	1) Open 2) Shutter 3) Round
Empty weight	1450 kg
Support hooks	Big bag hooks
Capacity	8800 kg
Color	Grey (RAL7016)



VT-XL

- Compact, height adjustable, big bag filler bucket
- Large opening optional with shutter
- Including big bag support hooks

SACON MACHINES
St Annastraat 14a
5091CP Middelbeers
The Netherlands
+31 (0) 13 844 0038
info@sacon-machines.nl

PRICE (excl. VAT)	<i>On request</i>
Big bag hooks	<i>Included</i>
Slip off prevention	<i>On request</i>
Alternative RAL-color	<i>On request</i>
Adjustable support legs	<i>Included</i>
Extension set (3-sides)	<i>On request</i>
Big bag opening clamp	<i>On request</i>



Adjustable support legs



Extension set



Shutter



Big bag support hooks



Movable with forklift truck



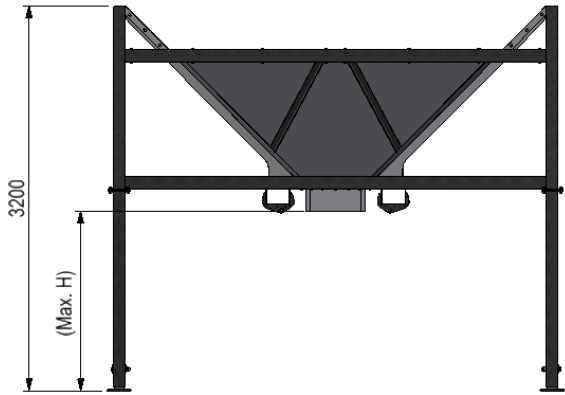
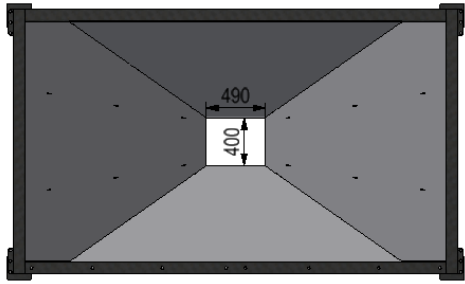
VT-XL

- *Compact, height adjustable, big bag filler bucket*
- *Large opening optional with shutter*
- *Including big bag support hooks*

SACON MACHINES
 St Annastraat 14a
 5091CP Middelbeers
 The Netherlands
 +31 (0) 13 844 0038
 info@sacon-machines.nl

Max. H

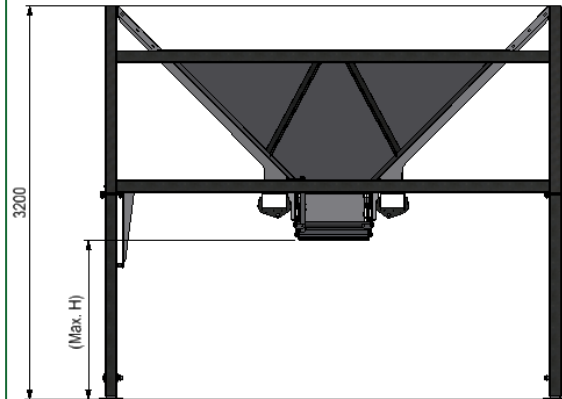
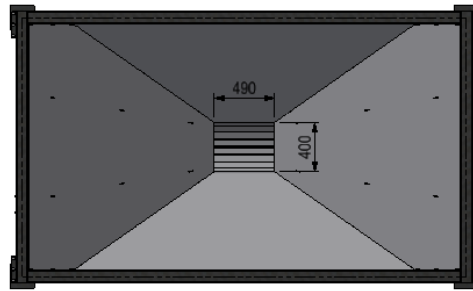
1,49m + 0,9m (6 x 0,15)



1. Geen klep

Max. H

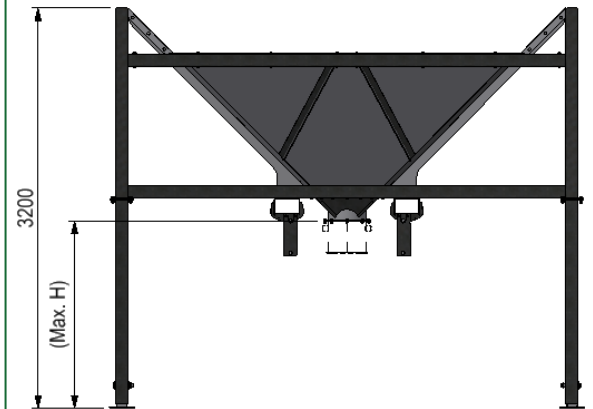
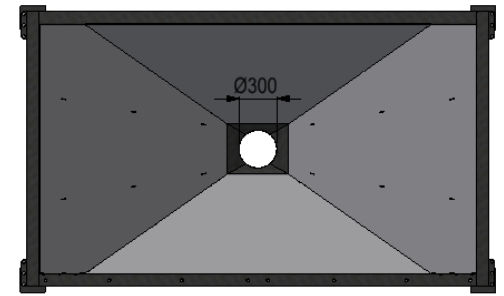
1,29m + 0,9m (6 x 0,15)



2. Shutter

Max. H

1,49m + 0,9m (6 x 0,15)



3. Round

- Compact, height adjustable, big bag filler bucket
- Large opening optional with shutter
- Including big bag support hooks